

Fluted Back Straight Stack Art & Education

Case Study in Brick
Amant, Brooklyn NY

November 20, 2021 -
March 11, 2022

Gala Porras-Kim
Precipitation for an Arid Landscape

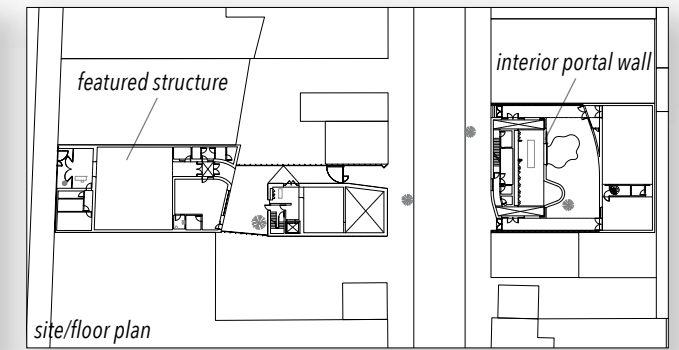


vestibule at street, fluted backs

Novel Texture for a Mini-Campus Amid Industrial Transition

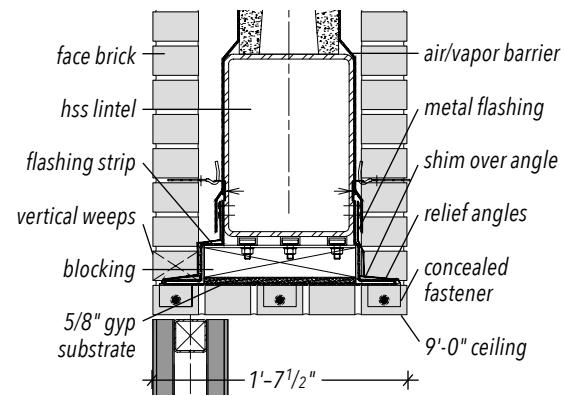


model view of campus structures



site/floor plan

The Amant campus extends across three blocks in rapidly changing, industrial North Brooklyn, with artist studios, galleries, offices, storage, and a cafe. Acme's Perla clay brick is installed using all its faces, especially including the fluted "back" of the brick. Turned to staccato effect, its irregular and dense verticals render any sense of running bond meaningless. A result is to create buildings as unified volumes, not assembled planes with recognizable patterns. Contrasting stack bond in transitions and interior spaces show the versatility of the Perla brick and its remarkable ability to mimic both the gritty industrial noise outside and the clean, quiet gallery inside, simply by changing exterior faces.



concealed lintel system detail



interior portal wall across campus, stack bond, concealed lintel



"We like how the reverse side of this brick erases the running bond pattern to create an abstracted texture when seen from a distance. Up close, the fluted backs reveal the processes of production, including the fabrication number stamps, which appear as notations and marks on the clay. As one enters, the curved walls use the smooth face of the full-depth brick—a transition from outside noise to a visually quiet white box gallery space, foregrounding the exhibitions within."
 — Kevin Lamyuktseung, Project Manager, SO-IL.org



angled courtyard elevation, fluted backs

Amant Brooklyn, NY

client Lonti Ebers
design architects SO-IL
architect of record Andrew Rejniak
project manager Paratus Group

structural Silman Associates
MEP CES Engineering, Plus Group Engineering
lighting Buro Happold Engineering
cladding consultant Simpson Gumpertz & Heger
civil Bohler Engineering
expediter J. Callahan Consulting, Inc.

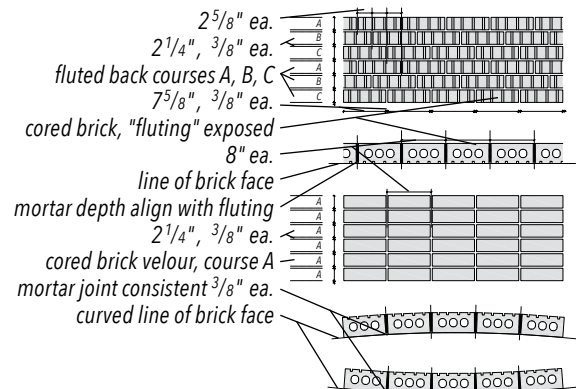
acoustics / AV / security Harvey Marshall Berling
concrete Reginald Hough Associates
geotechnical Langan Engineering, PMT Laboratories
landscape Future Green
graphics Linked by Air
photography Naho Kubota

artist works in photographs Gala Porras-Kim
awards MASTerworks Best New Building, Architecture Master Prize Best in Best of Cultural Architecture 2021

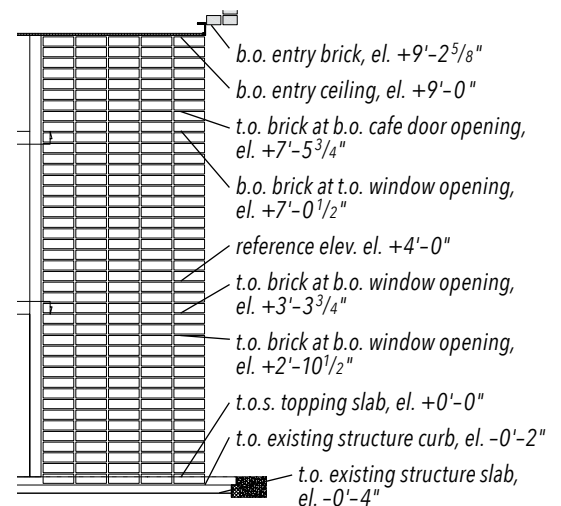
Acme Brick Perla Steele Gray Modular Velour



view to courtyard, stack bond curves



elevation and plan details at fluted wall, curved stack-bond walls



elevation detail at stack-bond wall